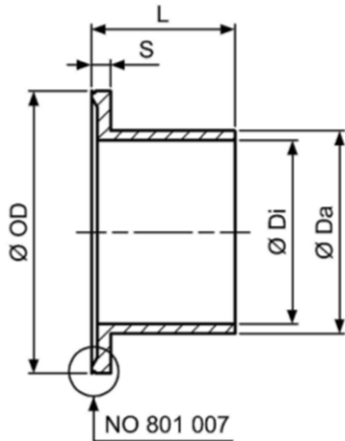
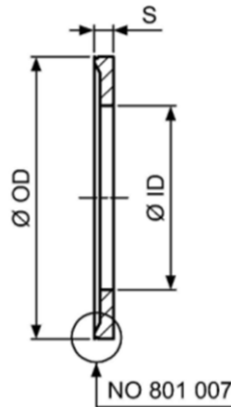


## Standard End pieces EP

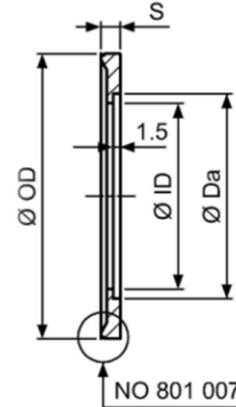
TYPE N (Neck)



TYPE R1 (Ring 1)



TYPE R2 (Ring 2)



Material 316L

Quality ESU (ESR)

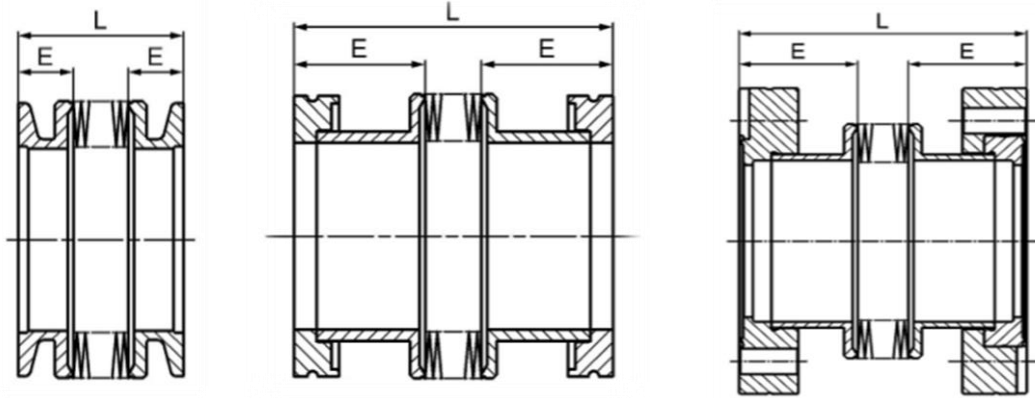
	Bellows inside diameter	Bellows outside diameter	Inside Ø connecting tube	Outside Ø of connecting tube	Wide of ring	Length min.
	ID	OD	Di	Da	S	L
DN 10	6	13	6	8	3	20
	9	20	10	12	3	20
	10	20	10	12	3	20
DN 16	13	26	14	16	3	20
	16	31.5	16	18	4	20
	19	37	20	23	4	20
DN 25	21	41	22	25	4	20
	26	46	27	30	4	20
	31	51	32	35	4	20
DN 40	36	56	35	38	4	30
	39	59	38.4	42.4	4	30
DN 50	46	71	46	50	4	30
	51	76	51	54	4	30
DN 63	65	90	66	70	5	30
	75	100	72.1	76.1	5	30
DN 100	102	132	100	104	5	30
	127	157	134.5	139.7	5	40
DN 160	150	185	150	154	5	40
	162.5	195	163.1	168.3	5	40
DN 200	200	235	200	204	6	40
DN 250	250	285	250	254	6	40
DN 320	320	360	317.5	323.9	6	40
DN 400	403	462	400	406	6	40
DN 500	506	564	500	506	6	40

All dimensions in [mm]

Additional sizes, materials and specifications are available on request.

Technical data may be revised.

## Standard Compensators



### ISO-KF Compensators

Dimension/Type	Membrane bellows				End piece	Assembly length		
	ID	OD	Z	Conv.	E	Lc	Lf	Le
DN 16 ISO-KF	16	31.5	10	8	14	32	38	42
DN 25 ISO-KF	26	46	10	6	14	31	39	41
DN 40 ISO-KF	39	59	12	6	15	33	43	45
DN 50 ISO-KF	51	76	12	5	15	33	43	45

Other dimensions, strokes and lengths available on request.

### ISO-K Compensators

Dimension/Type	Membrane bellows				End piece	Assembly length		
	ID	OD	Z	Conv.	E	Lc	Lf	Le
DN 63 ISO-K	65	90	12	4	35	73	81	85
DN 100 ISO-K	102	132	12	4	40	83	92	95
DN 160 ISO-K	150	185	12	4	45	94	102	106
DN 200 ISO-K	200	235	12	4	45	94	103	106
DN 250 ISO-K	250	285	12	4	45	94	104	106
DN 320 ISO-K	320	360	12	3	45	93	101	105

Other dimensions, strokes and lengths available on request.

### CF-Compensators

Dimension/Type	Membrane bellows				End piece	Assembly length		
	ID	OD	Z	Conv.	E	Lc	Lf	Le
DN 16 CF-F/R	16	31.5	10	8	20	44	50	54
DN 40 CF-F/R	39	59	12	6	30	63	73	75
DN 63 CF-F/R	65	90	12	4	35	73	80	85
DN 100 CF-F/R	102	132	12	4	40	83	92	95
DN 160 CF-F/R	150	185	12	4	45	94	102	106
DN 200 CF-F/R	200	235	12	4	45	94	103	106
DN 250 CF-F/R	250	285	12	4	45	94	103	106

Other dimensions, strokes and lengths available on request.

All dimensions in [mm]

Additional sizes, materials and specifications are available on request.

Technical data may be revised.